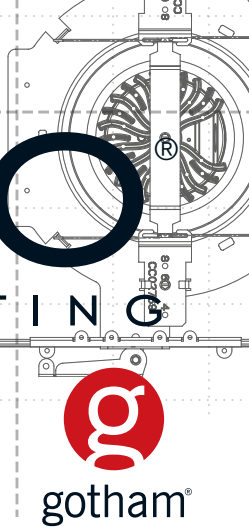


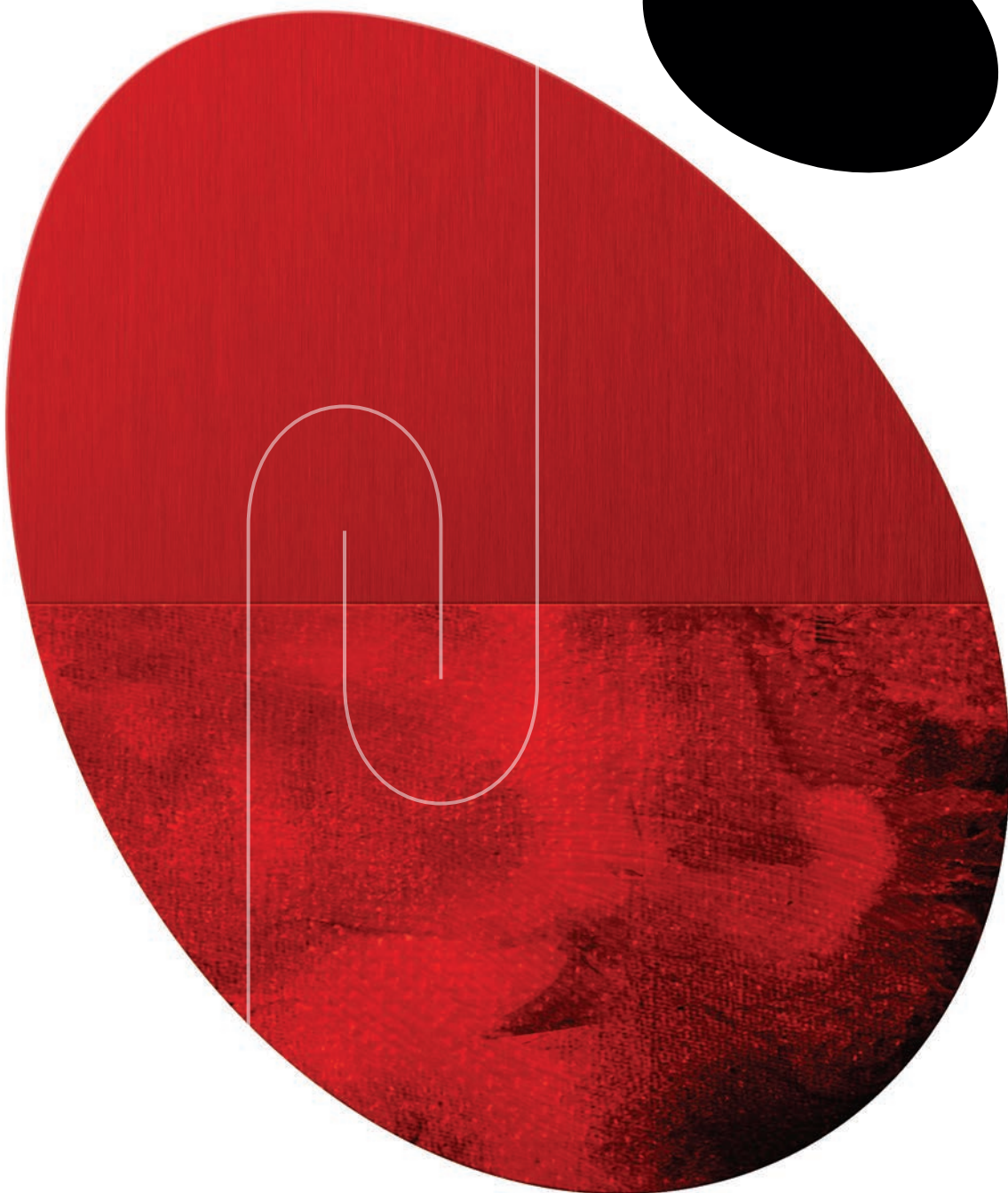
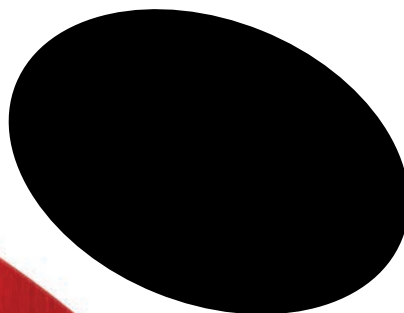
EVO

SOLID-STATE LIGHTING

SCIENCE POWERS DESIGN



gotham®



Gotham® EVO® Solid-State Lighting Products No.2

FUTURE READY

2

□ What does the future look like? That's a question we'll leave to the imagination of a science-fiction writer. What we do know is that next year's LED technology — maybe even next month's — won't be the same as today's.

Evo® is a system specifically designed to allow for the integration of advances in solid-state technology as they occur. Evo luminaires that arrive on-site will deliver precisely the performance characteristics specified (like lumen output, light distribution and color temperature) using the most up-to-date, energy-efficient configurations available. Here's how we make it possible:

The Configurable Light Engine

A modular design allows Gotham to reconfigure the mixing chamber, reflector, lenses and LEDs independently of one another, creating enormous flexibility for improvements to Evo luminaires as technology advances. This ensures consistency in both quality and quantity of light, while still giving us wide latitude to continuously upgrade efficiency and efficacy. The benefits, from top to bottom:



1

REMOVING HEAT / Evo's thermal design ensures that LED temperatures remain at or below 50% of the thermal limit. Enhanced color stability is a direct result, along with better fixture-to-fixture consistency and longer LED life.

2

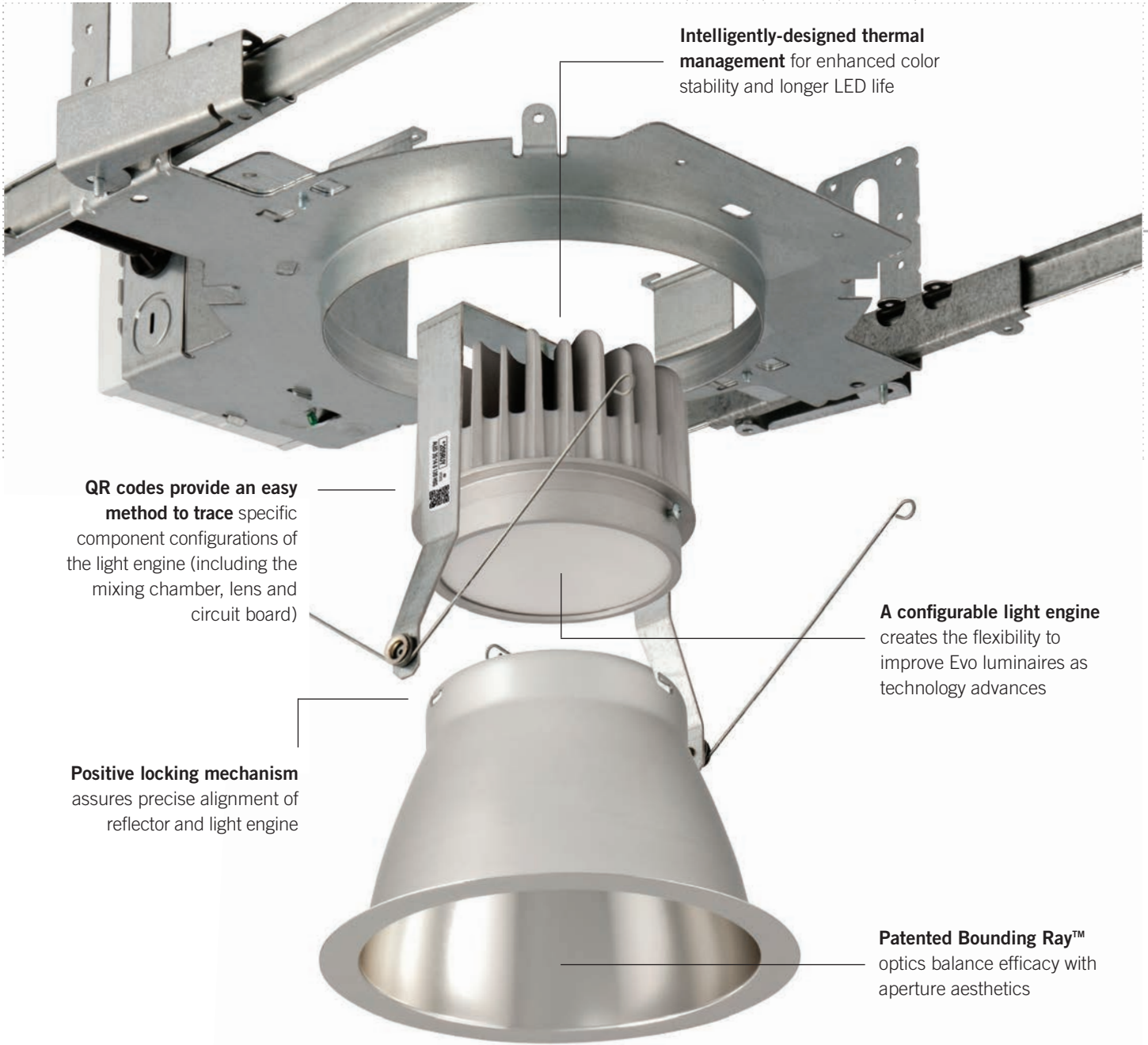
PROVIDING LIGHT / LED boards in all Evo luminaires are configurable and replaceable, enabling us to upgrade to higher-efficiency systems as technology advances. The LEDs are binned to a 3-step MacAdam's ellipse to achieve consistent color from luminaire to luminaire.

3

BLENDING LIGHT / Evo mixing chamber optics are built using 98.5% reflective material, and shaped to eliminate color separation and pixilation to produce smooth, pleasing light.

4

FOCUSING LIGHT / A lens composed of 92% transmissive holographic film forms the heart of Evo's modular design. This is the final step in a process to collimate light, and create a luminaire with optimal distribution.



Intelligently-designed thermal management for enhanced color stability and longer LED life

QR codes provide an easy method to trace specific component configurations of the light engine (including the mixing chamber, lens and circuit board)

Positive locking mechanism assures precise alignment of reflector and light engine

A configurable light engine creates the flexibility to improve Evo luminaires as technology advances

Patented Bounding Ray™ optics balance efficacy with aperture aesthetics

Evo Distributions Now Available

An impressive range of configurations expands again, with the introduction of five distribution options for Evo luminaires.

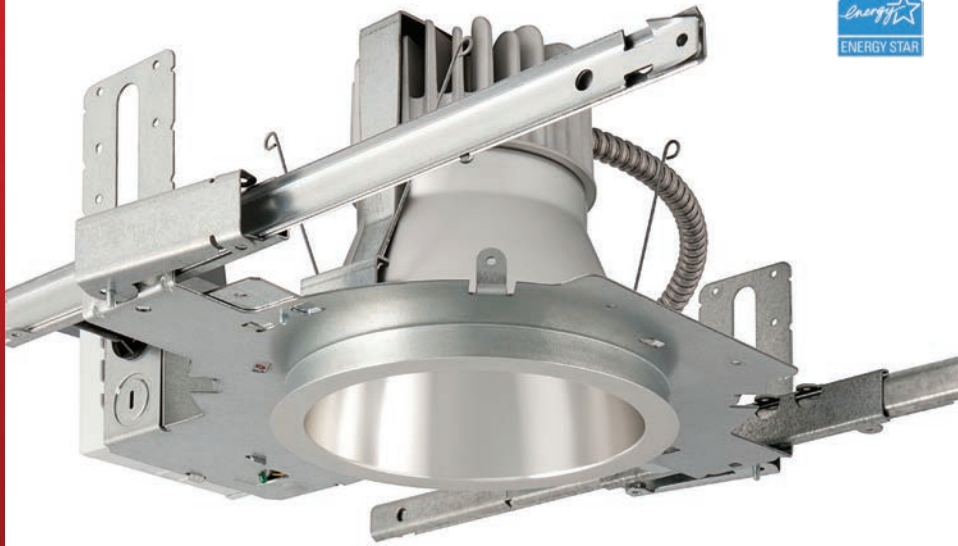


lumen packages — 600 | 1000 | 1400 | 1800 | 2000 | 2200 | 2900

EVO®

LED OPEN DOWNLIGHT

4

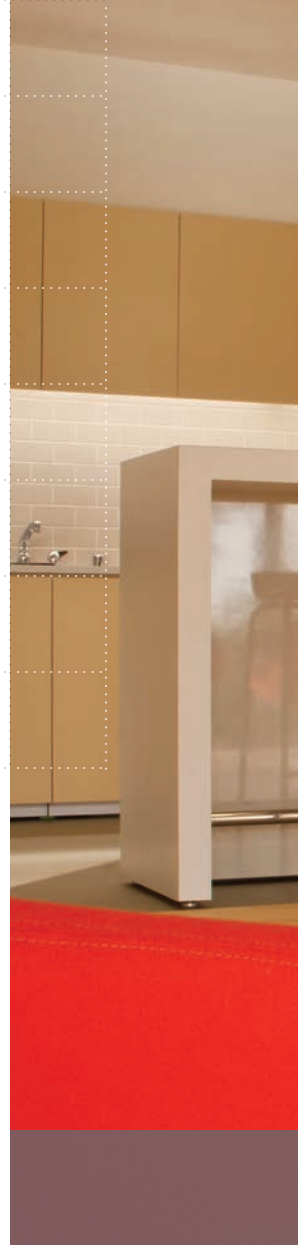


Evo open downlight (series: EVO) / lm/W: 66.36

Look ahead. As with every Evo® luminaire, the open downlight has been designed to evolve as solid-state technology evolves, without compromising the quality of light. Delivered lumens, CCT and beam distribution — all of these will remain precisely as specified, even if the luminaire incorporates upgraded LED technology.

Spaces lighted with Evo luminaires typically feature a pleasingly quiet ceiling. An efficient, proprietary light engine performs in harmony with Gotham®'s patented Bounding Ray™ optics to inhibit unwanted glare. This alliance also gives Evo its exceptional beam quality, with smooth edges that feather cleanly from luminaire to luminaire.

- Available with multiple distributions from .4 to 1.5 spacing-to-mounting-height ratios
- Outstanding delivered lumens allow luminaire count reductions of up to 40% when compared with typical CFL downlights
- Patented Bounding Ray™ optics balance efficacy with aperture aesthetics
- Evo solid-state luminaires tested to LM-79-08 standards and ENERGY STAR® certified — Evo LEDs tested to LM-80 standards



EVO. FUTURE READY.



5



Evo® Distributions

This application is ideally suited for Evo.

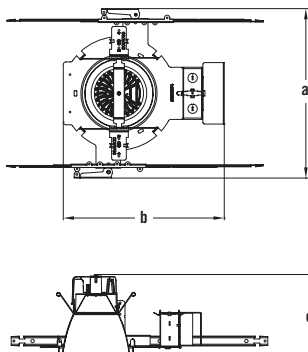
0.4 S/MH
Very Narrow

0.6 S/MH
Narrow

0.8 S/MH
Medium

1.0 S/MH
Standard

1.2 S/MH
Wide



4"

- a 15-7/8 (40.3)
- b 14-3/16 (36.0)
- c 6-7/16 (16.4)

- aperture 4-5/16 (11)
- ceiling opening 5-1/8 (13)
- overlap trim 5-7/16 (13.8)

6"

- a 15-7/8 (40.3)
- b 15-1/16 (38.3)
- c 7-9/16 (19.1)

- aperture 6-1/4 (15.9)
- ceiling opening 7-1/8 (18.1)
- overlap trim 7-3/4 (19.6)

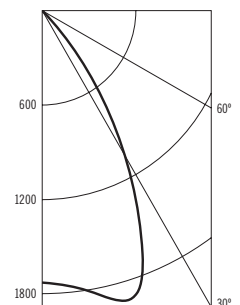
8"

- a 15-7/8 (40.3)
- b 14-3/16 (36.0)
- c 8-5/8 (22.0)

- aperture 7-7/8 (20.1)
- ceiling opening 8-7/8 (21.5)
- overlap trim 9-1/4 (23.5)

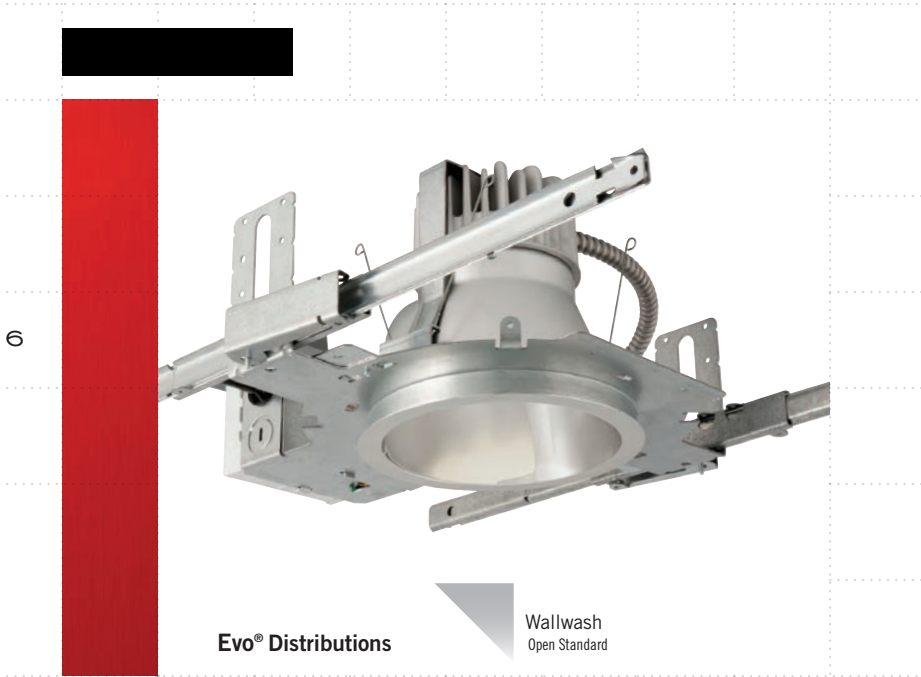
EVO 35/18 GAR LS

lumens per lamp 1858.07
input watts 28
lumens per watt 66.36
report no. LTL20947



All dimensions are inches (centimeters). For complete specifications, please visit www.gothamlighting.com.

EVO® LED OPEN WALLWASH



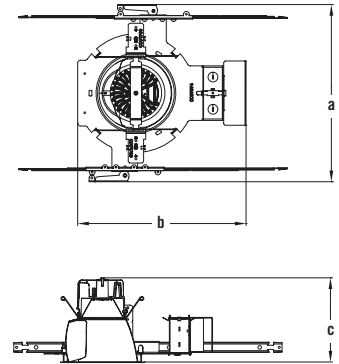
Evo® Distributions

Wallwash
Open Standard

Evo open wallwash (series: EVO WW) / lm/W: 65.84

Companion piece. Seen together with Evo® open downlights, this luminaire gives you the ability to illuminate vertical surfaces while maintaining a consistent visual rhythm in the ceiling.

- Patented Bounding Ray™ optics balance efficacy with aperture aesthetics
- Evo solid-state luminaires tested to LM-79-08 standards — Evo LEDs tested to LM-80 standards



4"

a 15-7/8 (40.3)
b 14-3/16 (36.0)
c 6-7/16 (16.4)

aperture
4-5/16 (11)
ceiling opening
5-1/8 (13)
overlap trim
5-7/16 (13.8)

6"

a 15-7/8 (40.3)
b 15-1/16 (38.3)
c 7-1/2 (19.1)

aperture
6-1/4 (15.9)
ceiling opening
7-1/8 (18.1)
overlap trim
7-3/4 (19.6)

8"

a 15-7/8 (40.3)
b 14-3/16 (36.0)
c 8-5/8 (21.9)

aperture
7-7/8 (20.1)
ceiling opening
8-7/8 (21.5)
overlap trim
9-1/4 (23.5)

All dimensions are inches (centimeters). For complete specifications, please visit www.gothamlighting.com.

Wallwash Illuminance Study (fc) Illuminance on wall from 6 luminaires

EVO WW 35/18 6AR 120

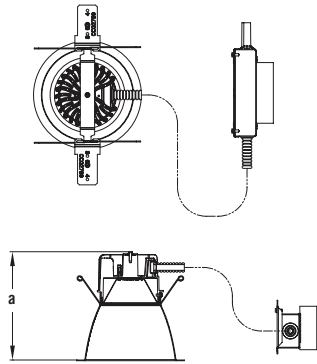
lumens per lamp 1777.7 / input watts 27
lumens per watt 65.84 / report no. LTL21148

feet from ceiling	Luminaire mounted 3 ft. from wall 3 ft. between luminaires			Luminaire mounted 3 ft. from wall 4 ft. between luminaires		
	CL	MID	CL	CL	MID	CL
1	9.6	6.7	9.6	8.9	3.7	8.9
2	19.4	17.7	19.4	16.8	11.2	16.8
3	20.2	20.0	20.2	15.9	13.9	15.9
4	22.2	21.5	22.2	17.2	15.7	17.2
5	22.0	22.2	22.0	16.4	16.7	16.4
6	20.2	20.4	20.0	14.5	15.8	14.5
7	17.7	17.7	17.7	13.0	13.7	13.0
8	15.1	15.3	15.1	11.4	11.6	11.4
9	12.9	13.1	12.9	9.8	10.0	9.8
10	11.0	11.1	11.0	8.4	8.6	8.4
11	9.4	9.5	9.4	7.3	7.5	7.3
12	8.0	8.2	8.0	6.3	6.4	6.3

For additional photometric information, please visit www.gothamlighting.com.

EVO DOWNLIGHT, WALLWASH & RETROFIT

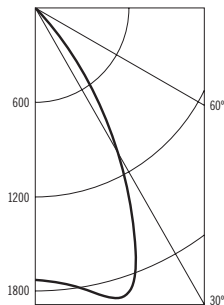
series		type	color temperature		nominal lumen output		aperture	trim color		trim type	distribution ⁸		
REQUIRED										OPTIONAL			
EVO			30/18		6AR								
EVO	blank	downlight	27/	2700K	06 ¹	600 lumens	4	AR	clear	blank	open	blank	1.0 S/MH
	WW	wallwash	30/	3000K	10	1000 lumens	6	PR	pewter	W ⁴	retrofit wallwash	VND	very narrow
	R	retrofit	35/	3500K	14	1400 lumens	8	WTR	wheat			ND	narrow
			41/	4100K	18	1800 lumens		GR	gold			MD	medium
			20 ¹	2000 lumens		WR ³	white			WD	wide		
				22	2200 lumens		BR ²	black					
				29 ²	2900 lumens								



4"	6"	8"
a 6-7/16 (16.4)	a 7-1/2 (19.1)	a 8-5/8 (21.9)
aperture 4-5/16 (11)	aperture 6-1/4 (15.9)	aperture 7-7/8 (20.1)
ceiling opening 5-1/8 (13)	ceiling opening 7-1/8 (18.1)	ceiling opening 8-7/8 (21.5)
overlap trim 5-7/16 (13.8)	overlap trim 7-3/4 (19.6)	overlap trim 9-1/4 (23.5)

All dimensions are inches (centimeters). For complete specifications, please visit www.gothamlighting.com.

EVO 35/18 GAR LS
 lumens per lamp 1858.07 / input watts 28
 lumens per watt 66.36 / report no. LTL20947



For additional photometric information, please visit www.gothamlighting.com.

EVO. FUTURE READY.



Evo retrofit kit (series: EVO R): open & open wallwash / lm/W: 66.36

Evo[®] retrofit: Convert to solid-state. Compared with CFL, HID, or incandescent, LED can reduce energy usage by as much as 81% over what you may be using now. That's a dramatic number. Evo allows you to take advantage of this without diminished performance — Gotham[®] brings all the features and benefits of an Evo open downlight to a retrofit luminaire.

- Designed for Gotham downlight frames — contact us for non-Gotham renovation needs
- Patented Bounding Ray™ optics balance efficacy with aperture aesthetics
- Evo solid-state luminaires tested to LM-79-08 standards and ENERGY STAR[®] certified — Evo LEDs tested to LM-80 standards

Evo[®] Distributions

This application is ideally suited for Evo.

0.4 S/MH
Very Narrow

0.6 S/MH
Narrow

0.8 S/MH
Medium

1.0 S/MH
Standard

1.2 S/MH
Wide

finish

voltage

driver

options

LS

120

blank semi-specular
LD matte-diffuse
LS specular

120
277
347

blank 0-10V dimming driver
ECOS3⁷ Lutron Hi-Lume[®] driver
ECOS2⁷ Lutron 2-wire driver

EL emergency battery pack with integral test switch
ELR emergency battery pack with remote test switch
SF single fuse
RLR Lithonia Reloc[®]
NEPP Interface for Sensor Switch[®] nLight[®] network with integral power supply.
TRW white painted flange
TRBL black-painted flange

notes:

- ¹ 4" aperture only
- ² 8" aperture only
- ³ Not available with finishes
- ⁴ Wallwash trim type for EVO R only — for non-retrofit wallwash orders please specify series EVO WW
- ⁵ For more information on distribution, please visit www.gothamlighting.com
- ⁶ Distributions not available for EVO WW or Trim Type W (retrofit wallwash)
- ⁷ Lutron A-series dimming driver, minimum dimming level 1% — not available with NEPP option

EVO®

LED LENSED WALLWASH

8



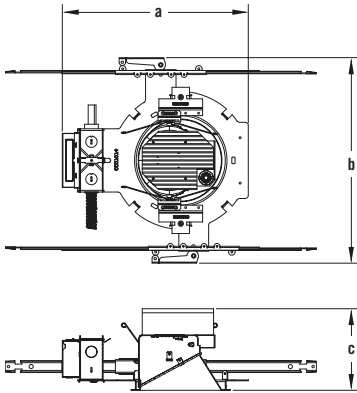
Evo lensed wallwash (series: EVO LW) / lm/W: 41.93

Uniformity from floor to ceiling. Smooth, balanced illumination is the hallmark of a superior wallwash. Exceptional performance is plainly visible: Vertical surfaces lit uniformly from top to bottom as well as from side to side, free of hot spots or visible striations. These wallwashers deliver precisely that level of performance — along with the energy efficiency possible from LED and the Future-Ready features available only with Evo®.

- Excellent uniformity, providing smooth distribution of light to the wall, free of room-side glare and without direct view of LEDs
- Evo solid-state luminaires tested to LM-79-08 standards — Evo LEDs tested to LM-80 standards

EVO LENSED WALLWASH

series	type	color temperature	nominal lumen output	aperture	trim color	finish	voltage	driver
REQUIRED						OPTIONAL	REQUIRED	
EVO	LW		30/18		6AR		120	
EVO	LW lensed wallwash	27/ 2700K 30/ 3000K 35/ 3500K 41/ 4100K	06 ¹ 600 lumens 10 1000 lumens 14 1400 lumens 18 1800 lumens 20 ¹ 2000 lumens 22 2200 lumens	4 6	AR clear PR pewter WTR wheat GR gold WR ² white	blank semi-specular LD matte-diffuse LS specular	120 277 347	blank 0-10V dimming driver ECOS3 ¹ Lutron Hi-Lume® driver ECOS2 ¹ Lutron 2-wire driver



4"	6"
a 14-3/8 (36.4)	a 14-3/8 (36.4)
b 15-7/8 (40.3)	b 15-7/8 (40.3)
c 5-7/16 (13.9)	c 6-5/16 (16)
aperture	aperture
4-5/16 (11)	6-1/4 (15.9)
ceiling opening	ceiling opening
5-1/8 (13)	7-1/8 (18.1)
overlap trim	overlap trim
5-7/16 (13.8)	7-1/2 (19.1)

All dimensions are inches (centimeters). For complete specifications, please visit www.gothamlighting.com.

Wallwash Illuminance Study (fc)
Illuminance on wall from 6 luminaires

EVO LW 35/18 GAR 120
 lumens per lamp 1341.8 / input watts 32
 lumens per watt 41.93 / report no. LTL21137

feet from ceiling	Luminaire mounted 3 ft. from wall 3 ft. between luminaires			Luminaire mounted 3 ft. from wall 4 ft. between luminaires		
	CL	MID	CL	CL	MID	CL
1	14.7	12.5	14.7	12.9	7.7	12.9
2	27.6	25.8	27.6	22.3	17.8	22.3
3	31.7	30.9	31.7	24.9	22.1	24.9
4	28.6	28.7	28.6	21.6	21.5	21.6
5	23.5	23.4	23.5	17.7	17.9	17.7
6	18.7	18.8	18.7	14.3	14.3	14.3
7	15.0	15.1	15.0	11.6	11.5	11.6
8	12.1	12.1	12.1	9.5	9.5	9.5
9	9.8	9.9	9.8	7.8	7.8	7.8
10	8.0	8.1	8.0	6.5	6.5	6.5
11	6.7	6.7	6.7	5.4	5.5	5.4
12	5.6	5.6	5.6	4.6	4.6	4.6

For additional photometric information, please visit www.gothamlighting.com.



options

OPTIONAL

- SF single fuse
- RLR Lithonia Reloc®
- NEPP Interface for Sensor Switch® nLight® network with integral power supply.
- TRW¹ white-painted flange
- TRBL black-painted flange
- ELR emergency battery pack with remote test switch
- CP Chicago plenum

Evo® Distributions

This application is ideally suited for Evo lensed wallwash.

Wallwash
Distribution

notes:

- ¹ Only available 4" EVO LW
- ² Not available with finishes
- ³ Lutron A-series dimming driver, minimum dimming level 1%—not available with NEPP option
- ⁴ Not available with white reflector (WR) option.

EVO®

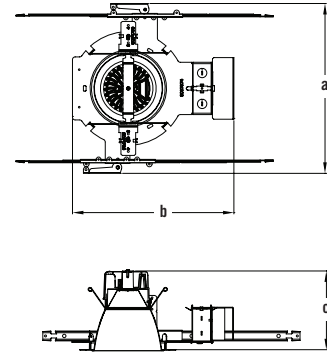
LED ROUND FLANGELESS DOWNLIGHT



Evo round flangeless (trim type: FL) / lm/W: 66.36

Flat is beautiful. Evo® flangeless allows for a flush-mount appearance in drywall ceiling applications. The flange virtually disappears, making it possible to achieve a clean, smooth surface plane.

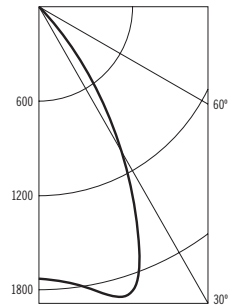
- Virtually invisible flange creates a modern, architectural look without compromising performance
- Once installed, the luminaire, and ceiling are tightly anchored together to restrict movement and prevent ceiling cracking
- Patented Bounding Ray™ optics balance efficacy with aperture aesthetics
- Evo solid-state luminaires tested to LM-79-08 standards and ENERGY STAR® certified — Evo LEDs tested to LM-80 standards



4"	6"
a 15-7/8 (40.3)	a 15-7/8 (40.3)
b 14-3/16 (36.0)	b 15-1/16 (38.3)
c 6-7/16 (16.4)	c 7-3/8 (18.7)
aperture 4-5/16 (11)	aperture 6-1/4 (15.9)
ceiling opening 5-1/4 (13.3)	ceiling opening 7-1/4 (18.3)

All dimensions are inches (centimeters). For complete specifications, please visit www.gothamlighting.com.

EVO 35/18 6AR LS
 lumens per lamp 1858.07
 input watts 28
 lumens per watt 66.36
 report no. LTL20947



For additional photometric information, please visit www.gothamlighting.com.

EVO ROUND FLANGELESS

series	color temperature	nominal lumen output	aperture	trim color	trim type	distribution*		finish
						REQUIRED	OPTIONAL	
EVO		30/18		6ARFL				LS
	27/ 2700K	06 [†] 600 lumens	4	AR clear	FL flangeless	blank	1.0 S/MH	blank semi-specular
	30/ 3000K	10 1000 lumens	6	PR pewter		VND	very narrow	LD matte-diffuse
	35/ 3500K	14 1400 lumens		WTR wheat		ND	narrow	LS specular
	41/ 4100K	18 1800 lumens		GR gold		MD	medium	
		20 [†] 2000 lumens		WR [‡] white		WD	wide	
		22 2200 lumens		BR [‡] black				
		29 [†] 2900 lumens						

EVO. FUTURE READY.



Evo® Distributions

This application is ideally suited for Evo flangeless.

0.4 S/MH
Very Narrow

0.6 S/MH
Narrow

0.8 S/MH
Medium

1.0 S/MH
Standard

1.2 S/MH
Wide

voltage

driver

options

REQUIRED

OPTIONAL

120

120 blank 0-10V dimming driver
277 ECOS3⁵ Lutron Hi-Lume® driver
347 ECOS2⁵ Lutron 2-wire driver

EL emergency battery pack with integral test switch
ELR emergency battery pack with remote test switch
SF single fuse
RLR Lithonia Reloc®
NEPP Interface for Sensor Switch® nLight® network with integral power supply.

notes:

- ¹ 4" aperture only
- ² 8" aperture only
- ³ Not available with finishes
- ⁴ For more information on distribution, please visit www.gothamlighting.com
- ⁵ Lutron A-series dimming driver, minimum dimming level 1%—not available with NEPP option

EVO® LED CYLINDERS

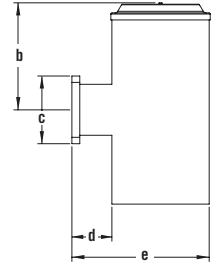
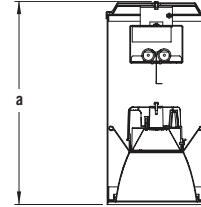
12



Evo surface-mount cylinder (series: EVO CYL) / lm/W: 66.36

Beyond the ceiling. You need a luminaire with the optics and appearance of a downlight, but don't have the ability to install one. This cylinder is an obvious solution.

- Optics identical to those of Evo® downlights for visual consistency between cylinders and recessed lighting types
- Patented Bounding Ray™ optics balance efficacy with aperture aesthetics
- Evo solid-state luminaires tested to LM-79-08 standards and ENERGY STAR® certified — Evo LEDs tested to LM-80 standards



8"

- a 15-13-16 (40.2)
- b 7-3/4 (19.7)
- c 5-5/16 (13.5)
- d 3-1/4 (8.3)
- e 10-7/8 (27.6)

reflector aperture
6-1/4 (15.9)
housing diameter
7-5/8 (19.4)

9"

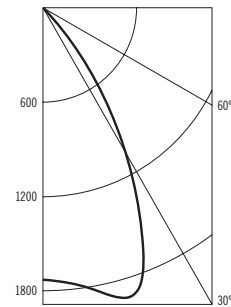
- a 16-5/16 (41.4)
- b 8 (20.3)
- c 5-5/16 (13.5)
- d 3-1/4 (8.3)
- e 12-5/8 (32.1)

reflector aperture
8 (20.3)
housing diameter
9-1/4 (23.5)

All dimensions are inches (centimeters). For complete specifications, please visit www.gothamlighting.com.

EVO 35/18 6AR LS

lumens per lamp 1858.07 / input watts 28
lumens per watt 66.36 / report no. LTL20947



For additional photometric information, please visit www.gothamlighting.com.

EVO CYLINDERS

REQUIRED		OPTIONAL										REQUIRED	
series	type	color temperature	nominal lumen output	aperture	trim color	distribution ³	finish					voltage	
EVO	CYL		35/22		6WR								277
EVO	CYL cylinder	27/ 2700K 30/ 3000K 35/ 3500K 41/ 4100K	10 1000 lumens 14 1400 lumens 18 1800 lumens 22 2200 lumens 29 ¹ 2900 lumens	6 8	AR clear PR pewter WTR wheat GR gold WR ² white	blank 1.0 S/MH VND very narrow ND narrow MD medium WD wide	blank semi-specular LD matte-diffuse LS specular					120 277	



Evo® Distributions

This application is ideally suited for Evo cylinders.

0.4 S/MH
Very Narrow

0.6 S/MH
Narrow

0.8 S/MH
Medium

1.0 S/MH
Standard

1.2 S/MH
Wide

driver

mounting

options

accessories

OPTIONAL

FCM

blank
0-10V
dimming driver

ECOS3⁴
Lutron
Hi-Lume® driver

ECOS2⁴
Lutron
2-wire driver

FCM surface
WM wall
PM pendant

SF single fuse

housing colors

DWHG matte white (standard)
DDB dark bronze
DBL black
DWH gloss white
DMB medium bronze
DNA natural aluminum
DSS sandstone
DBR bright red
DSB steel blue

order as separate catalog numbers
(shipped separately)

CYS⁵ 3/8" stem and
canopy with 5°
"hang straight" swivel

CRS⁵ 3/8" stem and
canopy with 45° swivel

NEPP5D KO 0-10V dimming
relay with integral
power supply

notes:

- ¹ 8" aperture only
- ² Not available with finishes
- ³ For more information on distribution, please visit www.gothamlighting.com
- ⁴ Lutron A-series dimming driver, minimum dimming level 1% — not available with NEPP5 accessory
- ⁵ Length of stem must be specified (from 6" to 240" in even increments).
Example: CYS20 DWHG.
Ceiling attachment for interior use. Consult factory for exterior use. Wires supplied by others.

SQUARE MEANS SQUARE

14

□ Why choose a square downlight? To create a distinctive rhythm. To veer away from convention toward a more geometric look. To acknowledge the appeal of straight edges and corners.

In short, the decision is a purely aesthetic one. Which is a perfectly legitimate reason to choose any luminaire. But the larger point is this: Square luminaires are rarely specified for their performance. With Evo®, that's about to change.

Redefining the Square

Gotham® has created a new Evo luminaire that combines the aesthetic attributes of the square, with exceptional performance that rivals Evo round. Plus, there are all the benefits of advanced solid-state technology — efficiency, control, energy savings.

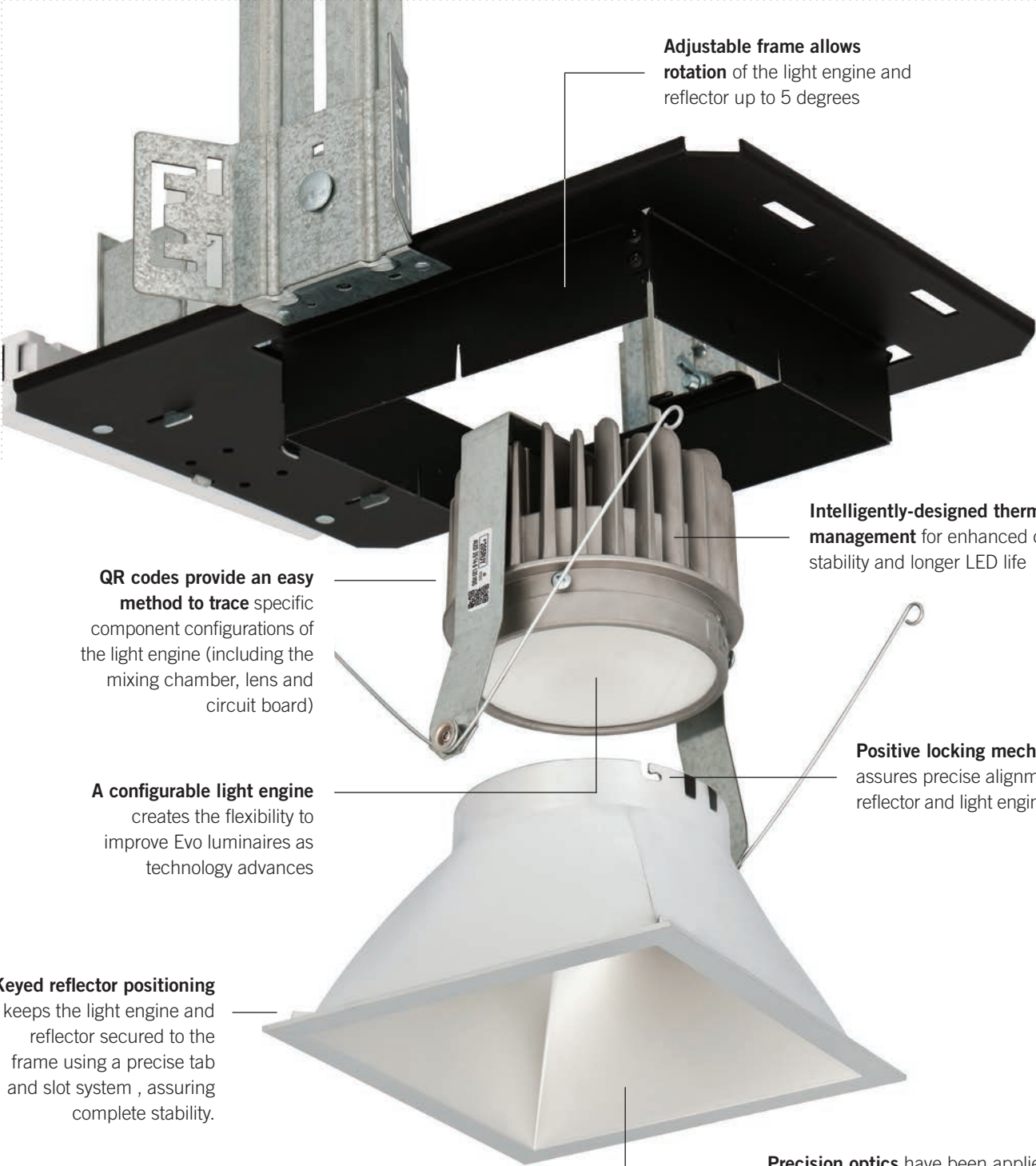
1 PERFECT ALIGNMENT / Evo's adjustable frame allows rotation of the light engine and reflector up to 5 degrees after the frame is installed. Alignment becomes a very simple task. Evo squares also feature keyed reflector positioning — the reflector is secured to the frame with a precise tab and slot system. Once in place, it stays in place.

2 MITER-FREE CONSTRUCTION / Most square luminaires use mitered corners, which are subject to racking, distortion, and light leaks. Evo squares feature miter-free, one-piece polymer composite reflectors that maintain their integrity and performance: Square now, square later.

3 AZIMUTHAL DESIGN / Using advanced mathematics and manufacturing, Gotham's design team has created a unique one-piece reflector. A circular profile adjacent to the light engine transforms seamlessly into a square at the flange — resulting in optics that outperform any standard square luminaire.

4 EVO MODULARITY / And of course, Evo squares provide the future-ready modular design benefits inherent in every Evo luminaire: configurable and upgradable LED boards, 3-step MacAdam's ellipse binning for color consistency, and QR code tracing for light engine components.





Adjustable frame allows rotation of the light engine and reflector up to 5 degrees

QR codes provide an easy method to trace specific component configurations of the light engine (including the mixing chamber, lens and circuit board)

Intelligently-designed thermal management for enhanced color stability and longer LED life

A configurable light engine creates the flexibility to improve Evo luminaires as technology advances

Positive locking mechanism assures precise alignment of reflector and light engine

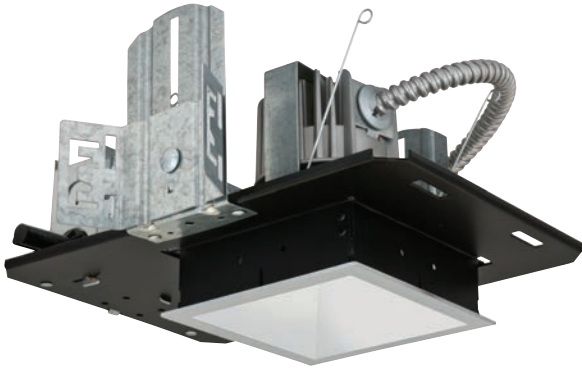
Keyed reflector positioning keeps the light engine and reflector secured to the frame using a precise tab and slot system, assuring complete stability.

Precision optics have been applied to a miter-free, one-piece polymer reflector that will outperform any standard square luminaire.

EVO®

LED OPEN SQUARE DOWNLIGHT

16



Evo open square LED (series: EVO SQ) / lm/W: 61.2

The circle in the square. The heart of the Evo® square is a sophisticated azimuthal reflector. At one end is Evo's high-performance, solid-state light engine, at the other a square flange. The precise transition between the two yields a luminaire with vanguard performance simply impossible to duplicate using standard square reflectors.

- Innovative azimuthal reflector is miter-free, one-piece, polymer composite and will not distort or separate — no racking, no light leaks
- Keyed reflector positioning keeps the light engine and reflector aligned and locked in position — adjustable frame allows up to 5° of rotation after installation
- Exceptional performance and modular design — like every Evo luminaire, Evo squares boast configurable LED boards, 3-step MacAdam's ellipse binning, and QR code tracing



EVO SQUARES

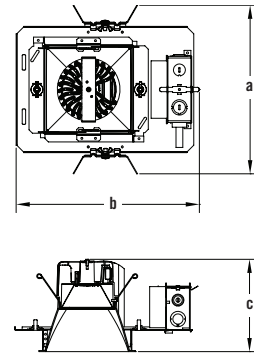
REQUIRED						OPTIONAL	
series	type	color temperature	nominal lumen output	aperture	trim color	finish	
EVO	SQ	27/ 2700K	06 ² 600 lumens	4	AR	clear	blank
	SQLW	30/ 3000K	10 1000 lumens	6	PR	pewter	LD
		35/ 3500K	14 1400 lumens		WTR	wheat	
		41/ 4100K	18 1800 lumens		WR ⁴	white	
			20 ² 2000 lumens		BR ⁴	black	
			22 ² 2200 lumens				



Evo® Distributions

This application is ideally suited for Evo squares.

1.0 S/MH
Standard



4"

- a 11-3/8 (28.9)
- b 12-7/16 (31.6)
- c 6-5/8 (16.9)

aperture 4-1/2 x 4-1/2 (11.4 x 11.4)
ceiling opening 5-1/8 x 5-1/8 (13 x 13)
overlap trim 5-1/2 (14)

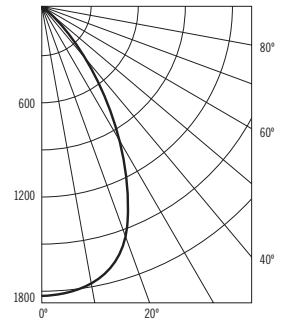
6"

- a 12-3/8 (31.4)
- b 13-7/16 (34.2)
- c 6-3/4 (17.2)

aperture 6 x 6 (15.2 x 15.2)
ceiling opening 6-5/8 x 6-5/8 (16.8 x 16.8)
overlap trim 7 (17.8)

All dimensions are inches (centimeters). For complete specifications, please visit www.gothamlighting.com.

EVO SQ 35/18 6AR 120
lumens per lamp 1848.2
input watts 30.2
lumens per watt 61.2
report no. LTL21907



For additional photometric information, please visit www.gothamlighting.com.

voltage

driver

options

REQUIRED

OPTIONAL

120

- 120
- 277
- 347

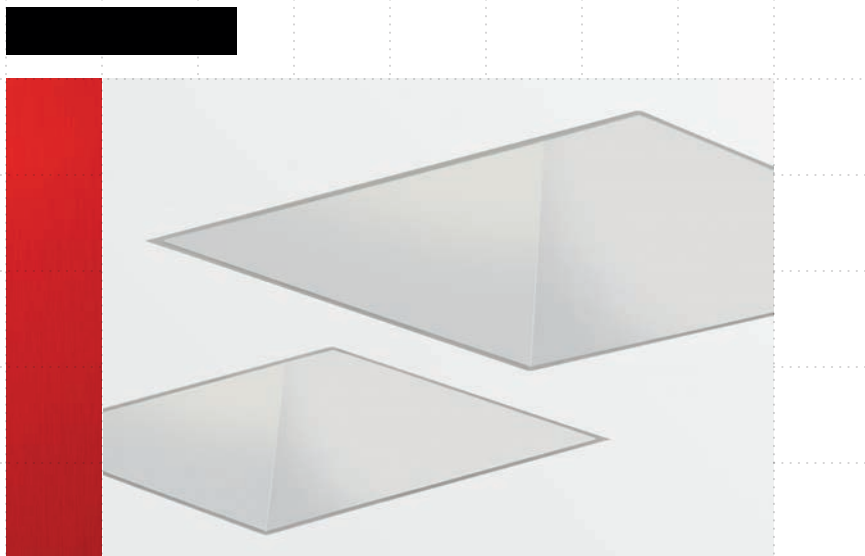
- blank 0-10V dimming driver
- ECOS3^s Lutron Hi-Lume® driver
- ECOS2^s Lutron 2-wire driver

- EL emergency battery pack with integral test switch
- ELR emergency battery pack with remote test switch
- SF single fuse
- RLR Lithonia Reloc®
- NEPP Interface for Sensor Switch® nLight® network with integral power supply
- TRW white painted flange
- TRBL black-painted flange

notes:

- ¹ 4" aperture only. Consult factory for 6" availability
- ² 4" aperture only
- ³ 6" aperture only
- ⁴ Not available with finishes
- ⁵ Lutron A-series dimming driver, minimum dimming level 1% — not available with NEPP option

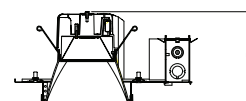
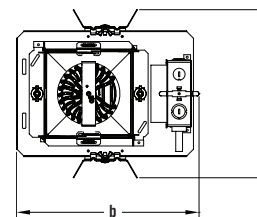
18



Evo square flangeless (trim type: FL) / lm/W: 61.2

□ Square plane. For architectural settings where a minimalist, geometric approach might be appropriate, Evo® offers a square flangeless luminaire. In drywall ceiling applications, its flush-mount appearance causes the flange to virtually disappear, allowing the square to seemingly meld with the ceiling.

- Once installed, the luminaire, and ceiling are tightly anchored together to restrict movement and prevent ceiling cracking
- Innovative azimuthal reflector is miter-free, one-piece, polymer composite and will not distort or separate — no racking, no light leaks
- Adjustable frame allows up to 5° of rotation



4"

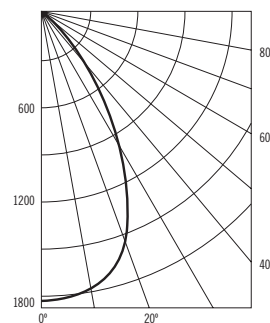
- a 11-3/8 (28.9)
- b 12-7/16 (31.6)
- c 6-5/8 (16.9)
- aperture 4-1/2 x 4-1/2 (11.4 x 11.4)
- ceiling opening 5-1/4 x 5-1/4 (13.3 x 13.3)

6"

- a 12-3/8 (31.4)
- b 13-7/16 (34.2)
- c 6-11/16 (17.0)
- aperture 6 x 6 (15.2 x 15.2)
- ceiling opening 6-7/8 x 6-7/8 (17.5 x 17.5)

All dimensions are inches (centimeters). For complete specifications, including retrofit dimensions, please visit www.gothamlighting.com.

EVO SQ 35/18 6AR 120
lumens per lamp 1848.2
input watts 30.2
lumens per watt 61.2
report no. LTL21907



For additional photometric information, please visit www.gothamlighting.com.

EVO SQUARE FLANGELESS

series	type	color temperature	nominal lumen output	aperture	trim color	trim type	finish
EVO	SQ		30/18			6ARFL	LD
REQUIRED							
EVO	SQ	square downlight	06° 600 lumens	4	AR clear	FL flangeless	blank semi-specular
	SQLW	lensed wallwash	10 1000 lumens	6	PR pewter		LD matte-diffuse
		35/ 3500K	14 1400 lumens		WTR wheat		
		41/ 4100K	18 1800 lumens		WR ¹ white		
			20 ² 2000 lumens		BR ⁴ black		
			22 ³ 2200 lumens				



Evo® Distributions

This application is ideally suited for Evo square flangeless.

1.0 S/MH
Standard

voltage

driver

options

REQUIRED

OPTIONAL

120

120
277
347

blank 0-10V dimming driver
ECOS3¹ Lutron Hi-Lume® driver
ECOS2¹ Lutron 2-wire driver

EL emergency battery pack with integral test switch
ELR emergency battery pack with remote test switch
SF single fuse
RLR Lithonia Reloc®
NEPP Interface for Sensor Switch® nLight® network with integral power supply.

notes:

- ¹ 4" aperture only. Consult factory for 6" availability
- ² 4" aperture only
- ³ 6" aperture only
- ⁴ Not available with finishes
- ⁵ Lutron A-series dimming driver, minimum dimming level 1% — not available with NEPP option

SPECIAL APPLICATIONS

Evo® is a platform designed to evolve. A crucial element of that evolution is to provide solutions to architects and designers as they address the kinds of special application scenarios that inevitably arise in almost any real-world project. That means applying Evo's advanced solid-state technology, performance, and modularity benefits to luminaires requiring ingress protection or tamper-proof barriers. Or to decorative downlights, where enhanced aesthetics are desired.

Stay with us as Gotham® continues to expand the scope of applications for Evo downlighting products.



Evo Vandal Resistant LED

Equipped with Gotham's rugged Lightshield™ bezel, Evo Vandal Resistant luminaires deliver high-performance in tough environments. A one-piece bezel made of marine-grade die-cast aluminum mounts to Evo's frame with stainless steel screws that resist tampering.

Ingress protection up to IP65 provides these luminaires with complete shielding against solid objects and dust, along with resistance to moisture and water from all directions. Corrosion-resistant Lightshield bezels are salt-spray tested to 1,000 hours.

Evo LED Shower Light

Locker rooms and showers are an obvious choice for this luminaire. Like its vandal-resistant sibling, the Shower Light is wet-location listed and carries an IP65 ingress protection rating, shielding it from vapor and water spray. But the shower light is also suitable for hose-down applications like food processing plants, or for scenarios such as clean rooms and pharmaceutical facilities, where dust is a factor.

The Shower Light can also be used in aquatic centers, hospitals, or hospitality applications — any location requiring a non-conductive, “dead-front” design.



DLD drop luminous disk

DLR drop luminous ring

Evo Decorative

 **Some ceilings benefit from a little extra.** Decorative elements can add life to spaces where the simple look of a downlight aperture may not be enough.

For those situations, Gotham offers luminous ring and disk options as part of Evo's comprehensive product line. Featuring polished edges and turned aluminum hardware, both styles are made from 3/16" low-iron glass — highly transmissive, and free from unwanted green hues.

EVO® VANDAL RESISTANT LED

22



Shown with oil-rubbed bronze finish

Evo vandal-resistant LED (series: EVO VR) / lm/W: 37.28

High performance, high security. Evo® vandal-resistant luminaires are available with Gotham® Lightshield™ bezels. A downlight both rugged and precise, it features advanced solid-state technology and delivers exceptional quality of light.

- Lightshield™ bezel is made of low-copper aluminum, and finishes are salt-spray tested to 1,000 hours for superior corrosion resistance
- Stainless steel T20 Torx®-head screws ensure a tamper-proof barrier, protecting the downlights from theft and vandalism
- Decorative bezel available in plated finishes or with textured polyester powder coat in standard architectural colors
- Ingress protection up to IP65 prevents moisture and dust from entering luminaire from the roomside
- Evo solid-state luminaires tested to LM-79-08 standards —
Evo LEDs tested to LM-80 standards



EVO VANDAL RESISTANT

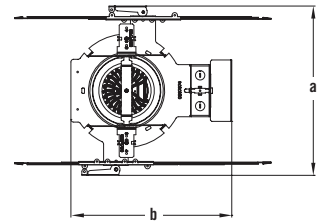
series		type	color temperature		nominal lumen output		aperture		trim color		finish		lens	
REQUIRED			OPTIONAL										REQUIRED	
EVO		VR	30/18		6AR								T73	
EVO	VR	vandal resistant downlight	27/	2700K	10	1000 lumens	6	AR	clear	blank	semi-specular	PCL ¹	1/8" clear polycarbonate	
			30/	3000K	14	1400 lumens	8	PR	pewter	LD	matte-diffuse	CGL	1/8" clear glass	
			35/	3500K	18	1800 lumens		WTR	wheat	LS	specular	T73	3/16" tempered prismatic	
			41/	4100K	22	2200 lumens		GR	gold			PPC ²	1/8" prismatic polycarbonate	
			29 ¹	2900 lumens				WR ²	white			FOL	1/8" tempered flush opal glass	
												CVX	3/16" clear convex glass	



Evo® Distributions

This application is ideally suited for Evo vandal resistant.

1.0 S/MH
Standard



6"

- a 15-7/8 (40.3)
- b 15-1/16 (38.3)
- c 7-9/16 (19.1)
- d 1-9/16 (4.0)
- e 6-1/4 (15.9)
- f 9-7/16 (24.0)
- g 1 (2.6)

aperture 6-1/4 (15.9)
ceiling opening 7-1/8 (18.1)

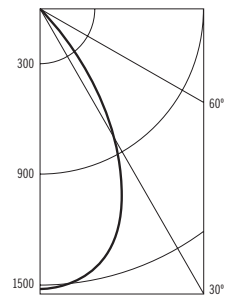
8"

- a 15-7/8 (40.3)
- b 14-3/16 (36.0)
- c 8-5/8 (22.0)
- d 2 (5.1)
- e 7-13/16 (19.8)
- f 11-1/16 (28.0)
- g 1 (2.6)

aperture 7-7/8 (20.1)
ceiling opening 8-7/8 (21.5)

All dimensions are inches (centimeters). For complete specifications, including retrofit dimensions, please visit www.gothamlighting.com.

EVO VR 35/18 6AR CGL
lumens per lamp 1379.37
input watts 37
lumens per watt 37.28
report no. LTL20464



For additional photometric information, please visit www.gothamlighting.com.

voltage

driver

options

OPTIONAL

277

120	blank	0-10V dimming driver
277		
347	ECOS3 ⁴	Lutron Hi-Lume [®] driver
	ECOS2 ⁴	Lutron 2-wire driver

ELR	emergency battery pack with remote test switch
RLR	Lithonia Reloc [®]
SF	single fuse
NEPP	Interface for Sensor Switch [®] nLight [®] network with integral power supply.
CP	Chicago plenum
WG	wire guard
PCU ⁵	3/16" clear polycarbonate underlay (roomside)

architectural colors⁶

plating	
PWR	Pewter
SCH	Satin Chrome
ORG	Oil-rubbed bronze

powder paint

DWHG	Matte White
DDB	Dark Bronze
DBL	Black
DWHG	Gloss White
DMB	Medium Bronze
DNA	Natural Aluminum

notes:

- ¹ 8" aperture only
- ² Not available with finishes
- ³ Provided standard with clear polycarbonate underlay (2 lenses total)
- ⁴ Lutron A-series dimming driver, minimum dimming level 1% — not available with NEPP option
- ⁵ Not available with CVX, PCL or PPC lens
- ⁶ Additional colors available — consult factory for more information

EVO® LED SHOWER LIGHT

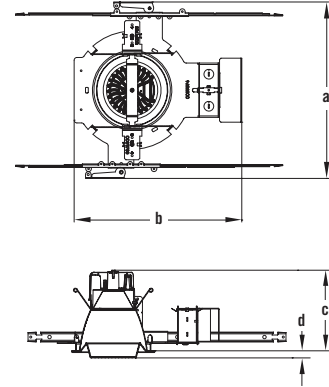
24



Evo shower light: drop (top), regressed (bottom) / lm/W: 29.35

■ Solid-state for the shower. For projects that call for non-conductive, wet-location luminaires we've created the Evo® LED shower light. Highly suitable for such applications, it's available with both drop and regressed lens options.

- "Dead-front" trim design suitable for a wide range of applications and codes requiring a non-conductive lens assembly
- IP65 rating ensures luminaires provide ingress protection to the ceiling and protects from water spray and vapor
- Evo solid-state luminaires tested to LM-79-08 — Evo LEDs tested to LM-80 standards



6"

- a 15-7/8 (40.3)
- b 15-1/16 (38.3)
- c (DFR) 7-1/2 (19.1)
- d (DFD) 11/16 (1.7)

- aperture 6-1/4 (15.9)
- ceiling opening 7-1/8 (18.1)
- overlap trim 7-3/4 (19.6)

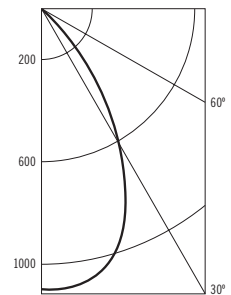
8"

- a 15-7/8 (40.3)
- b 14-3/16 (36.0)
- c (DFR) 8-9/16 (21.8)
- d (DFD) 15/16 (2.3)

- aperture 7-7/8 (20.1)
- ceiling opening 8-7/8 (21.5)
- overlap trim 9-1/4 (23.5)

All dimensions are inches (centimeters). For complete specifications, including retrofit dimensions, please visit www.gothamlighting.com.

EVO 35/18 6DFR
lumens per lamp 1164
input watts 39
lumens per watt 29.85
report no. LTL20133



For additional photometric information, please visit www.gothamlighting.com.

EVO SHOWER LIGHT

series	type	color temperature	nominal lumen output	aperture	trim style
EVO			30/18		6DFR
EVO	blank	27/ 2700K	10 1000 lumens	6	DFR Dead (non-conductive) front regressed
	R	30/ 3000K	14 1400 lumens		
		35/ 3500K	18 1800 lumens		
		41/ 4100K	22 2200 lumens		
			29' 2900 lumens		



25

Evo® Distributions

This application is ideally suited for the Evo shower light.

1.0 S/MH
Standard

voltage

driver

options

120

120
277
347

blank 0-10V dimming driver
ECOS3² Lutron Hi-Lume® driver
ECOS2² Lutron 2-wire driver

OPTIONAL

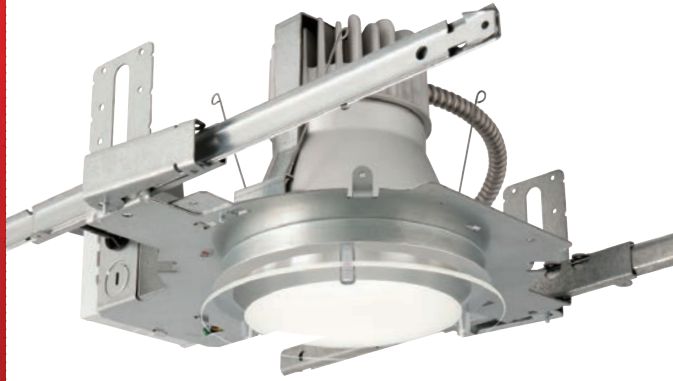
ELR emergency battery pack with remote test switch
RLR Lithonia Reloc®
SF single fuse
NEPP Interface for Sensor Switch® nLight® network with integral power supply
CP Chicago plenum

notes:

¹ 8" aperture only

² Lutron A-series dimming driver, minimum dimming level 1% — not available with NEPP option

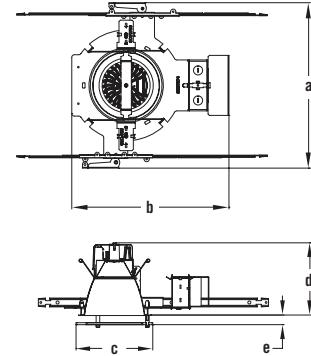
EVO® DECORATIVE LED



Evo decorative (series EVO with DLD luminous disk) / lm/W: 42.45

Luminous ring, luminous disk. Re-interpreted by Gotham® for the Evo® series, these classic decorative downlight accessories have been given a contemporary spin. Disks and rings have been re-proportioned for both 6" and 8" apertures and suspended beneath shallower standoffs.

- Luminous disks and rings both feature generous 3/16" glass with polished edges
- Low-iron glass provides better transmissivity and eliminates unwanted green hues
- Evo solid-state luminaires tested to LM-79-08 — Evo LEDs tested to LM-80 standards



6"

- a 15-7/8 (40.3)
- b 15-1/16 (38.3)
- c 8 (20.3)
- d 7-9/16 (19.1)
- e 1 (2.5)

- aperture 6-1/4 (15.9)
- ceiling opening 7-1/8 (18.1)
- overlap trim 7-3/4 (19.6)

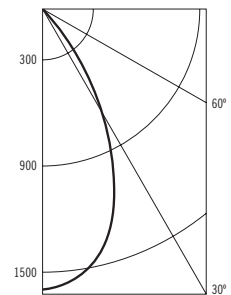
8"

- a 15-7/8 (40.3)
- b 14-3/16 (36.0)
- c 9-7/8 (25.1)
- d 8-5/8 (21.9)
- e 1 (2.5)

- aperture 7-7/8 (20.1)
- ceiling opening 8-7/8 (21.5)
- overlap trim 9-1/4 (23.5)

All dimensions are inches (centimeters). For complete specifications, please visit www.gothamlighting.com.

EVO 35/18 6DFR
lumens per lamp 1315.89
input watts 31
lumens per watt 42.45
report no. LTL19771



For additional photometric information, please visit www.gothamlighting.com.

EVO DECORATIVE

series	type	color temperature	nominal lumen output	aperture	trim color	decorative element
EVO	blank R	27/ 2700K 30/ 3000K 35/ 3500K 41/ 4100K	10 1000 lumens 14 1400 lumens 18 1800 lumens 22 2200 lumens 29' 2900 lumens	6 8	AR clear PR pewter WTR wheat GR gold WR ² white	DLR drop luminous ring DLD drop luminous disk



27

Evo® Distributions

This application is ideally suited for Evo decorative.

1.0 S/MH
Standard

finish

voltage

driver

options

OPTIONAL

REQUIRED

OPTIONAL

LS

277

- blank semi-specular
- LD matte-diffuse
- LS specular

- 120
- 277
- 347


- blank 0-10V dimming driver
- ECOS3³ Lutron Hi-Lume® driver
- ECOS2² Lutron 2-wire driver

- ELR emergency battery pack with remote test switch
- RLR Lithonia Reloc®
- TRW⁴ white-painted flange
- TRBL black-painted flange
- SF single fuse
- NEPP Interface for Sensor Switch® nLight® network with integral power supply
- CP Chicago plenum

notes:

- ¹ 8" aperture only
- ² Not available with finishes
- ³ Lutron A-series dimming driver, minimum dimming level 1% — not available with NEPP option
- ⁴ Not available with WR trim color

EVO®

 Evo® is a platform designed to evolve as solid-state technology evolves and new enabling technologies emerge. We are constantly working on the next improvements in lighting quality, aesthetics and efficiency. These advances will lead to an ever-expanding scope of applications for EVO downlighting products.

Our process is continuous improvement. Stay with us, this journey is just starting and the future is an adventure we will explore together. For more information, please visit www.gothamlighting.com.



GOTHAM ARCHITECTURAL DOWNLIGHTING
A DIVISION OF ACUITY BRANDS LIGHTING, INC.

1400 Lester Road, Conyers, Georgia 30012

800-315-4982 P 770-860-3129 F

www.gothamlighting.com

An **Acuity** Brands Company